

Miniature and signalling lamps

Conventional flashlight



Standard E10

Conventional incandescent miniature lamps feature a prefocus lamp base or a screw base to give an even spread of light for flashlight purposes, mainly in torches.

There are three main groups: prefocus base, E10 base and lens-end. The prefocus base types are characterised by accurate positioning of the filament; the

E10 base lamps offer effective use in most conventional torches; and the lens-end types feature an integral lens for pencil lamps, to give a strong, concentrated spot of light.

Applications

- Torches
- Toys
- Bicycle headlights



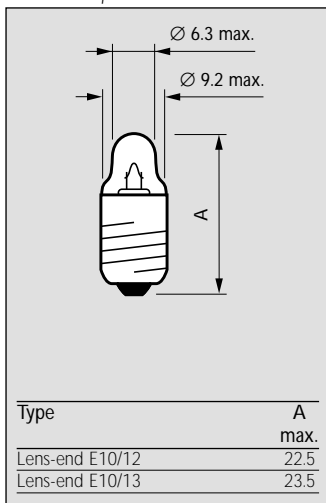
Lens-end capless



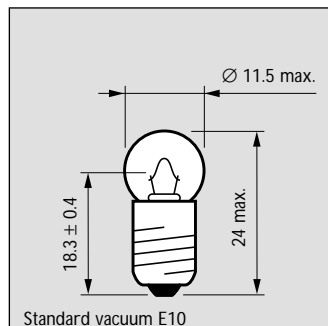
Lens-end E10/13



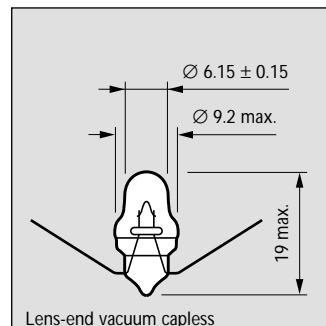
Prefocus P13.5s



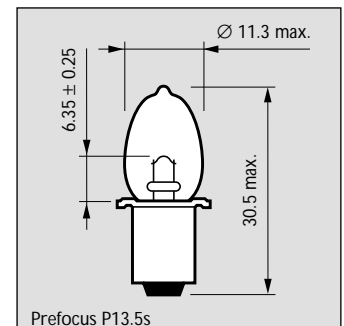
Dimensions in mm



Standard vacuum E10



Lens-end vacuum capless



Prefocus P13.5s

Miniature and signalling lamps

Conventional flashlight

Type	Lamp life 50% h	Lumen output lm	Ordering number
LENS-END KRYPTON (E10)			
KLE222 2.25V 0.6A E10/12	10	10	9234 606 02600
LENS-END VACUUM (CAPLESS)			
222D 2.2V 0.25A	5	4	9234 523 02700
LENS-END VACUUM (E10)			
112 1.2V 0.22A E10/13	5	0	9234 518 00700
112 1.2V 0.22A E10/12	5	0	9234 519 00700
112WS 1.2V 0.22A E10/12	5	0	9234 568 00700
2.2V 0.25A E10/13	20	4	9234 554 02600
222 2.2V 0.25A E10/13	5	4	9234 520 02600
7067D 2.2V 0.18A E10/13	15	2	9234 509 02600
2.25V 0.25A E10/12	20	4	9242 554 02700
222 2.25V 0.25A E10/12	5	4	9234 521 02700
243 2.3V 0.27A E10/12	10	4	9234 527 03300
243WS 2.3V 0.27A E10/12	10	4	9242 370 03300
7068D 2.5V 0.2A E10/13	15	4	9234 514 03200
7071D 2.5V 0.3A E10/13	10	6	9234 533 03200
7072D 3.7V 0.3A E10/13	15	11	9234 533 05600
PREFOCUS ARGON (P13.5S)			
PR32 4.8V 0.7A P13.5S	20	42	9234 401 07800
PR12 6V 0.5A P13.5S	15	38	9234 540 10100
PR18 7.2V 0.55A P13.5S	3	61	9234 596 13100
PR518 7.2V 0.54A P13.5S	15	55	9242 596 13100
PR20 8.63V 0.5A P13.5S	15	62	9234 547 15400
PREFOCUS KRYPTON (P13.5S)			
KPR104 2.2V 0.47A P13.5S	15	7	9237 841 02600
K1 2.4V 0.5A P13.5S	6	11	9242 924 02900
K2 2.4V 0.83A P13.5S	5	20	9242 943 02900
KPR101 2.4V 0.52A P13.5S	10	11	9242 910 02900
KPR102 2.4V 0.7A P13.5S	15	16	9237 909 02900
KPR131 2.4V 0.835A P13.5S	15	18	9237 919 02900
KPR801 2.4V 1.2A P13.5S	10	29	9242 960 02900
KPR103 3.6V 0.75A P13.5S	20	34	9237 910 05400
KPR106 3.6V 0.3A P13.5S	10	11	9237 930 05400
KPR5984 4.0V 1.0A P13.5S	200	47	9234 573 06300
KPR1941 4.75V 0.5A P13.5S	10	35	9242 925 07700
KPR113 4.8V 0.75A P13.5S	20	51	9237 910 07800
KPR802 4.8V 0.5A P13.5S	15	33	9242 910 07800
KPR813 4.8V 0.93A P13.5S	5	80	9242 945 07800
KPR112 6V 0.75A P13.5S	20	75	9237 918 10100
KPR118 7.2V 0.75A P13.5S	15	100	9237 917 12800
KPR816 12.6V 0.38A P13.5S	20	75	9242 923 17100

Type	Lamp life 50% h	Lumen output lm	Ordering number
PREFOCUS VACUUM (P13.5S)			
PR4 2.3V 0.27A P13.5S	10	5	9234 529 02800
PR2 2.4V 0.5A P13.5S	15	11	9234 544 02900
PR-900 2.5V 0.2A P13.5S	15	4	9234 511 03200
PR6 2.5V 0.3A P13.5S	30	6	9234 546 03200
PR527 2.7V 0.42A P13.5S	20	9	8222 343 16000
PR29 3.5V 0.2A P13.5S	15	7	9234 574 05200
PR3 3.6V 0.5A P13.5S	15	21	9234 595 05400
PR7 3.7V 0.3A P13.5S	30	12	9234 531 05600
PR35 4.6V 0.35A P13.5S	15	18	9242 360 07400
PR13 4.75V 0.5A P13.5S	15	28	9234 597 07700
PR15 4.8V 0.5A P13.5S	30	28	9234 592 07800
PREFOCUS XENON (P13.5S)			
XPR104 2.2V 0.5A P13.5S	20	8	9242 923 02600
XPR102 2.4V 0.85A P13.5S	15	23	9237 920 02900
XPR801 2.4V 1.2A P13.5S	10	32	9242 971 02900
XPR103 3.6V 0.85A P13.5S	15	45	9237 921 05400
XPR802 4.7V 0.4A P13.5S	15	20	9242 923 07700
XPR113 4.8V 0.85A P13.5S	15	65	9237 922 07800
XPR806 6.5V 0.8A P13.5S	15	90	9242 925 11600
STANDARD VACUUM (E10)			
701E 2.4V 0.5A E10/13	10	10	9242 410 02900
6388 2.5V 0.4A E10/13	10	9	8222 343 50300
6890D 2.5V 0.2A E10	15	4	9234 510 03200
7135D 2.5V 0.3A E10	10	6	9234 530 03200
6891D 3.5V 0.2A E10	15	7	9234 510 05200
7138D 3.7V 0.3A E10	15	12	9234 530 05600
702E 4.8V 0.5A E10/13	10	26	9242 410 07800
7139DL 4.8V 0.3A E10/13	15	16	9242 360 07800
6875 6.0V 0.33A E10/13	300	14	9234 318 10100
7087D 6.0V 0.5A E10/13	1000	22	9234 451 10100
7098D 6.0V 0.1A E10/13	5000	2	9234 411 10100
6V0.05A 10.0V 0.1A E10/13	5000	6	9234 403 10100

